



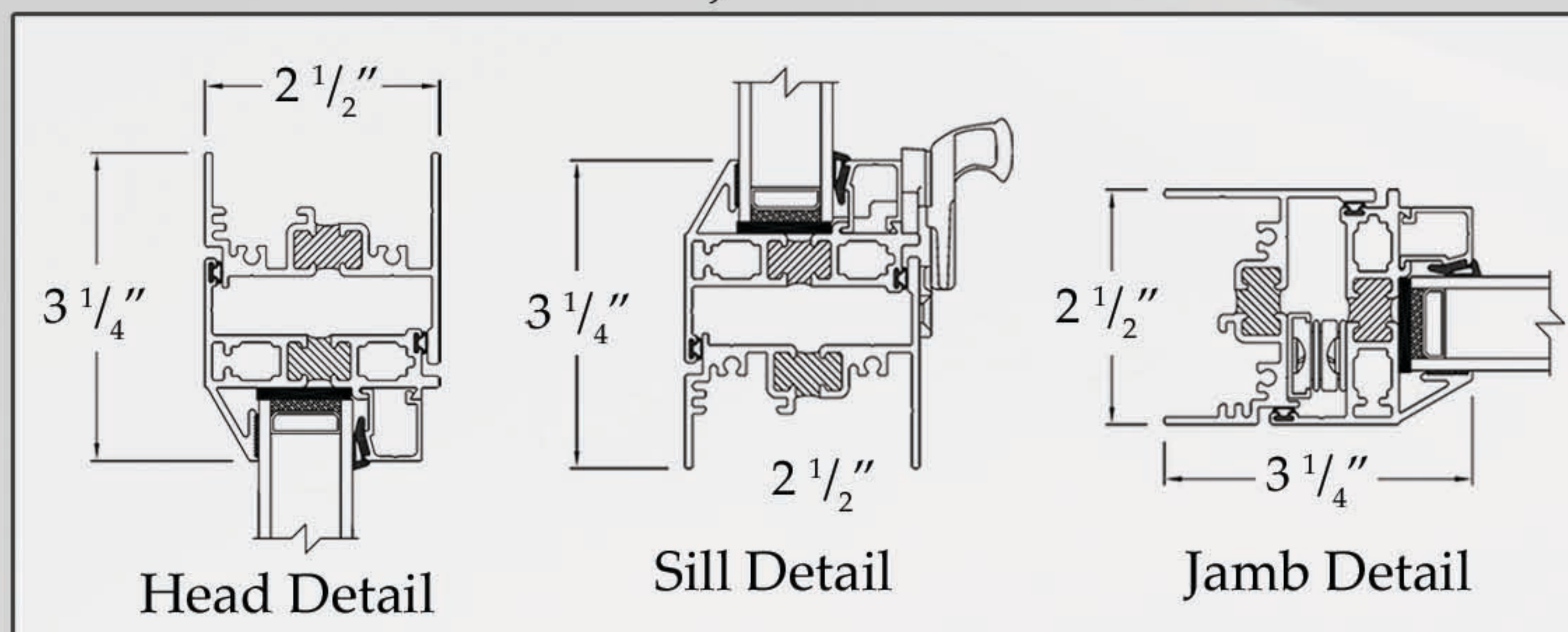
WINDOW AND DOOR

4000/5000 Series

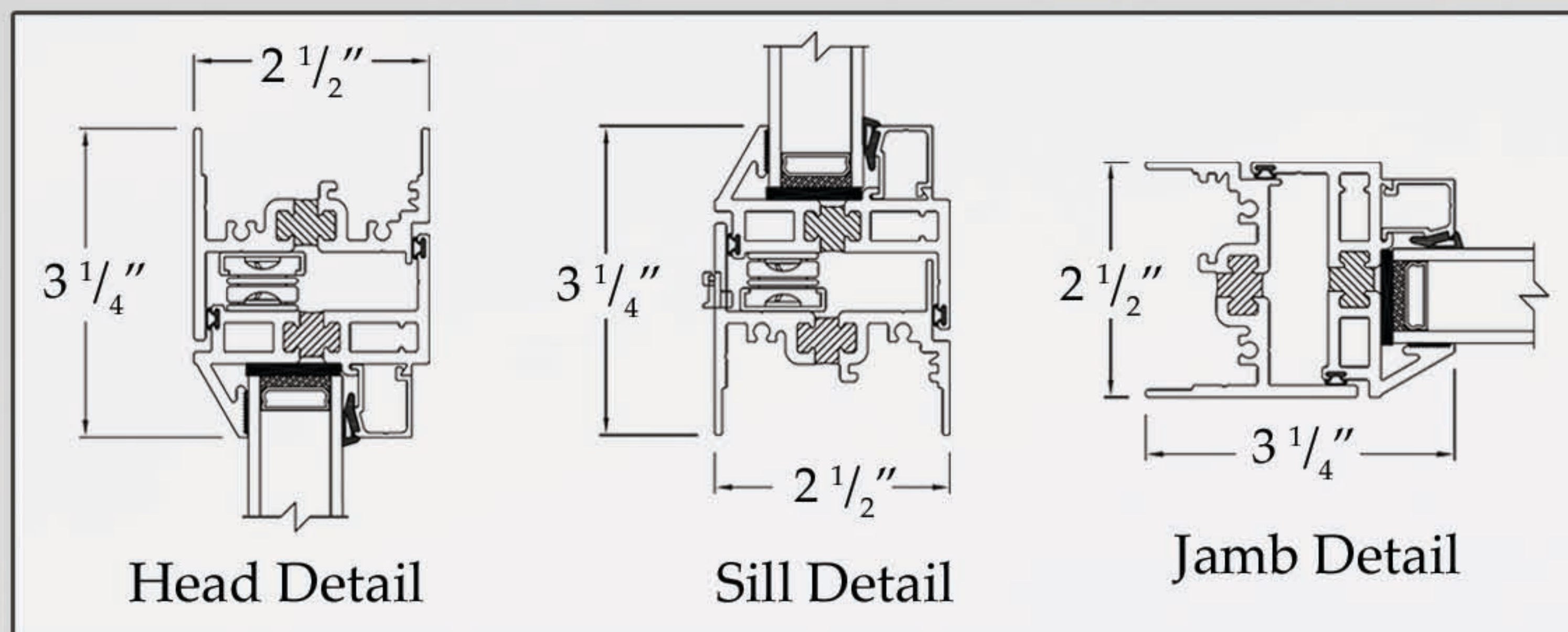
Projected/Casement Windows

The Champion 5000 Projected/Casement Series is a versatile, true Architectural (AW)/Heavy Commercial (HC) window line. It features a thermally-broken 2 1/2" frame with exceptionally high performance. Project out (5100), project in (5200), casement outswing (5300), and casement inswing (5400) configurations are available. The Champion 4000 Projected/Casement Series is a flexible Commercial (C) window line. Like in the 5000 series, all windows in this series are fully thermally-broken and have a 2 1/2" frame depth. Project out (4100), project in (4200), casement outswing (4300), and casement inswing (4400) configurations are available. The 4000 and 5000 Series windows are perfect for all new construction and rehabilitation jobs.

Projected Out



Casement In



4000/5000 Product List

Commercial Rating (C)

- | | |
|--------------------------|-------------------------|
| 4100: Projected Outswing | 4300: Casement Outswing |
| 4200: Projected Inswing | 4400: Casement Inswing |

Heavy Commercial/Architectural Rating (HC/AW)

- | | |
|--------------------------|-------------------------|
| 5100: Projected Outswing | 5300: Casement Outswing |
| 5200: Projected Inswing | 5400: Casement Inswing |

~Quality Products and Service Since 1952~

4000/5000 Features



- | | |
|-------------------------------|--|
| C, HC, and AW Rated Products | Concealed Stainless Steel 4 Bar Hinges |
| 2 1/2" Frame Depth | White Bronze Cam Handle & Strike |
| 1" Insulating Glass | Fully Thermally-Broken Components |
| Projected Inswing or Outswing | Fixed Companion Units |
| Casement Inswing or Outswing | Maximum Test size varies by Product |
| Beveled Sashes | |



4000/5000 Options

Various OITC/STC Ratings
 Butt Hinges
 Limit Arm
 Multi-Point Lock
 Concealed Multi-Point Lock
 Roto Operator
 2 1/2" Extended Fin
 1", 2" & 5" Expander
 Sill Covers

Stool Covers
 Tie-in Mullion
 2-Piece Mullion Covers
 3-Piece Mullion
 Receptor/Subsill
 Sheet Rock Receptor
 Snap Trim
 Vandal Sash
 Twist Anchors

Square Panning
 Landmark Panning
 Caulk Return
 Caulk Stop w/ Return
 Structural Anchors
 L-Angles
 Internal Grids
 Landmark Grids
 Screen Options



Roto Operator
 Available on all casement out and projected out windows



4000/5000 Performance

Champion's 4000/5000 Series Projected/Casement windows are AAMA certified, with test results meeting all the requirements for their respective ratings in accordance with the 101/I.S.2/A440-05 testing standards. As part of its commitment to quality, Champion maintains a testing facility that it uses to continuously test its products, ensuring that they continuously meet requirements.

| Title of Test | 4100 AP-C90 | 4200 AP-C90 | 4300 C-C90 | 4400 C-C90 | 4710 FW-C90 |
|---------------------------------------|--------------------------------|--------------------------------|--------------------------------|--------------------------------|---------------------------------|
| Operating Force | 11 lbf | 11 lbf | 15 lbf | 6 lbf | - |
| Air Infiltration | 0.01 cfm ² @ 25 mph | 0.01 cfm ² @ 25 mph | 0.01 cfm ² @ 25 mph | 0.01 cfm ² @ 25 mph | <0.01 cfm ² @ 25 mph |
| Water Resistance Test Pressure | 15.05 psf | 12.12 psf | 15.05 psf | 12.12 psf | 15.05 psf |
| Uniform Load Deflection Test Pressure | 105.33 psf | 105.33 psf | 120.38 psf | 105.33 psf | 97.81 psf |
| Uniform Load Structural Test Pressure | 188.09 psf | 188.09 psf | 180.57 psf | 150.47 psf | 135.42 psf |
| Forced Entry Resistance | Grade 10 | Grade 10 | Grade 10 | Grade 10 | Grade 40 |

| Title of Test | 5100 AP-HC100 | 5200 AP-HC100 | 5300 C-HC85 | 5400 C-HC100 | 5710 FW-AW80 |
|---------------------------------------|---------------------------------|--------------------------------|---------------------------------|---------------------------------|---------------------------------|
| Operating Force | 12 lbf | 13 lbf | 22 lbf | 7 lbf | - |
| Air Infiltration | <0.01 cfm ² @ 50 mph | 0.02 cfm ² @ 50 mph | <0.01 cfm ² @ 50 mph | <0.01 cfm ² @ 50 mph | <0.01 cfm ² @ 50 mph |
| Water Resistance Test Pressure | 15.05 psf | 12.12 psf | 15.05 psf | 12.12 psf | 15.05 psf |
| Uniform Load Deflection Test Pressure | 120.38 psf | 120.38 psf | 85.27 psf | 120.38 psf | 90.28 psf |
| Uniform Load Structural Test Pressure | 180.56 psf | 180.56 psf | 127.90 psf | 180.57 psf | 120.38 psf |
| Forced Entry Resistance | Grade 10 | Grade 10 | Grade 10 | Grade 10 | Grade 40 |

| Title of Test | 5100 AP-AW120 | 5200 AP-AW110 | 5300 C-AW85 | 5400 C-AW120 | 5710 FW-AW80 |
|---------------------------------------|--------------------------------|--------------------------------|---------------------------------|--------------------------------|---------------------------------|
| Operating Force | 12 lbf | 13 lbf | 26 lbf | 7 lbf | - |
| Air Infiltration | 0.03 cfm ² @ 50 mph | 0.02 cfm ² @ 50 mph | <0.01 cfm ² @ 50 mph | 0.06 cfm ² @ 50 mph | <0.01 cfm ² @ 50 mph |
| Water Resistance Test Pressure | 15.05 psf | 12.12 psf | 15.05 psf | 12.12 psf | 15.05 psf |
| Uniform Load Deflection Test Pressure | 120.38 psf | 120.38 psf | 85.27 psf | 120.38 psf | 90.28 psf |
| Uniform Load Structural Test Pressure | 180.56 psf | 180.56 psf | 127.90 psf | 180.57 psf | 120.38 psf |
| Forced Entry Resistance | Grade 10 | Grade 10 | Grade 10 | Grade 10 | Grade 40 |